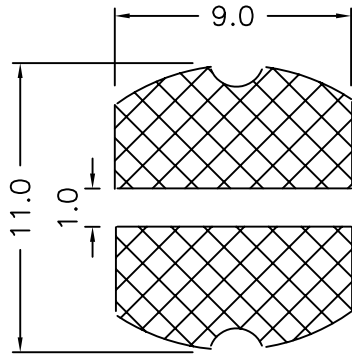
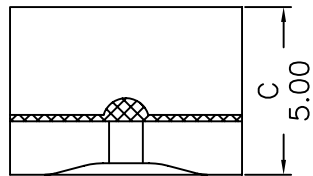
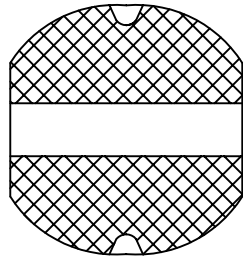
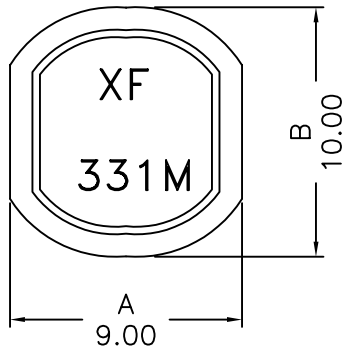


1. Mechanical Dimensions:



PAD LAYOUT

2. Schematic:



3. Electrical Specifications:

OCL: 330uH±20% @1.0KHz 1V

DCR: 1.03 Ohms Max

IDC: 0.44A_{dc} Max

Notes:

1. Solderability: Leads shall meet MIL-STD-202, Method 208D for solderability.
2. Flammability: UL94V-0
3. ASTM oxygen index: > 28%
4. Temperature rating: 155°C. UL file E151556
5. Operating Temperature Range: -40°C to +85°C

DOC REV: A/2

XFMRs Inc	Title: INDUCTOR	
UNLESS OTHERWISE SPECIFIED TOLERANCES: .xx ±0.25 Dimensions in MM	P/N: XFSDR105SH-331M	REV. A
	DWN. 李小锋	Jun-19-03
	CHK. 廖玉坤	Jun-19-03
SHT 1 OF 1	APP. Isaiah M	Jun-19-03